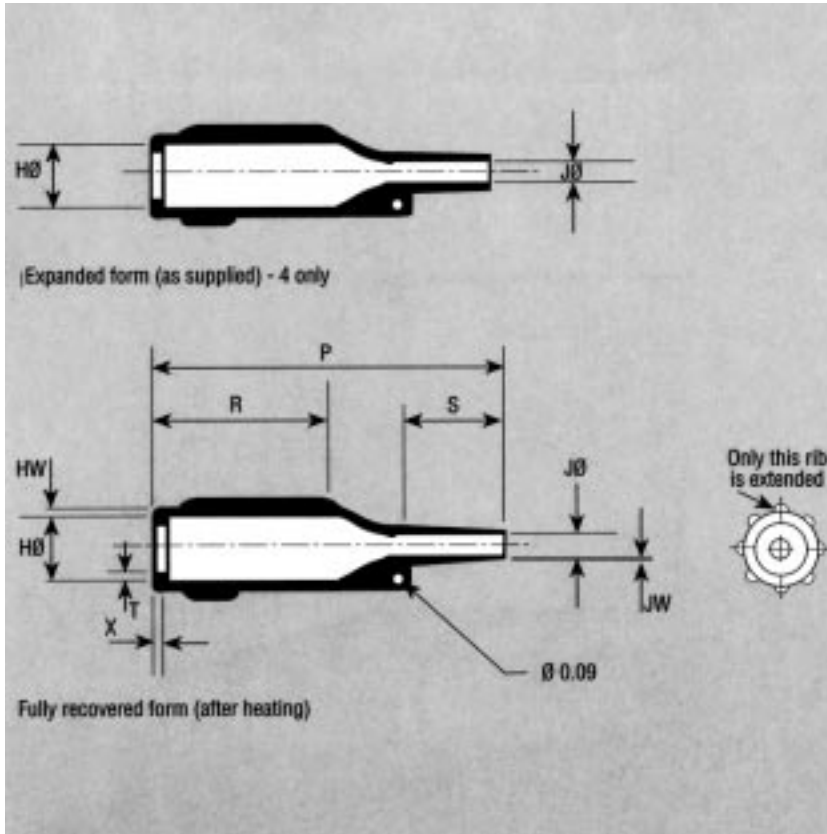


190 SERIES BOTTLE SHAPES WITH EXTERNAL RIBS VG-STYLE



Developed specifically for small audio connectors. External Ribs improve grip.

Dimensions apply to all materials unless otherwise indicated and are in inches.

VG Part No.	Hellermann Part No.	Expanded (Min)		Recovered (Max)		Recovered dimensions fully shrunk						
		H	J	H	J	P ±10%	R ±10%	S ±10%	T ±10%	X nom	HW ±20%	JW ±20%
VG95343 T 06A 010A	199-4	0.69	0.28	0.55	0.17	2.76	1.38	0.79	0.04	0.06	0.07	0.02
VG95343 T 06A 010A	199-6	0.73	0.73	0.55	0.17	2.76	1.38	0.79	0.04	0.06	0.07	0.02

MATERIALS AVAILABLE		
Reference	Specification	Description
J	MIL-I-81765/TYPE II	Flexible polyolefin
B7	MIL-I-81765/TYPE I	Semi-rigid flame retarded polyolefin
G	* VG 95343 PART 6	Fluid resistant elastomer
H	NAVSEA 5617649	Flexible limited fire hazard material

ADHESIVE COATING OPTIONS	
Reference	Description
WM250	General purpose hot melt +80°C
W8	High performance hot melt +105°C

For ordering procedure – refer to page 5

* Standard material.