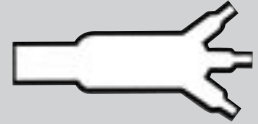
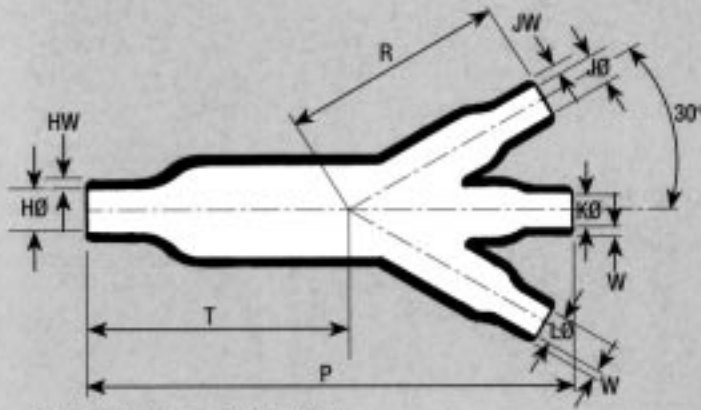


# 300 SERIES

3-WAY OUTLET  
SHAPES-VG STYLE



Expanded form (as supplied)



Fully recovered form (after heating)

This style provides cable sealing strain relief and mechanical protection.

Dimensions apply to all materials unless otherwise indicated and are in inches.

VG Part No.	Hellermann Part No.	Expanded (Min)		Recovered (Max)		Recovered dimensions fully shrunk				
		H	J,K,L	H	J,K,L	P ±10%	R ±10%	T ±10%	HW ±20%	W ±20%
—	334-1	0.52	0.26	0.15	0.10	1.82	1.00	0.80	0.08	0.04
VG95343 T 08D 001A	* 306-1	0.51	0.26	0.26	0.14	1.81	0.98	0.83	0.06	0.04
VG95343 T 08D 002A	* 304-1	1.06	0.51	0.53	0.28	3.66	1.97	1.69	0.10	0.06
VG95343 T 08D 003A	* 310-1	1.52	0.75	0.75	0.39	5.31	2.91	2.44	0.12	0.08
VG95343 T 08D 004A	311-1	2.19	1.06	1.00	0.49	7.56	4.06	3.50	0.18	0.12

### MATERIALS AVAILABLE

Reference	Specification	Description
J	* MIL-I-81765/TYPE II	Flexible polyolefin
B7	* MIL-I-81765/TYPE I	Semi-rigid flame retarded polyolefin
G	* VG 95343 PART 6	Fluid resistant elastomer
H	NAVSEA 5617649	Flexible limited fire hazard material

### ADHESIVE COATING OPTIONS

Reference	Description
WM250	General purpose hot melt +80°C
W8	High performance hot melt +105°C

For ordering procedure – refer to page 5

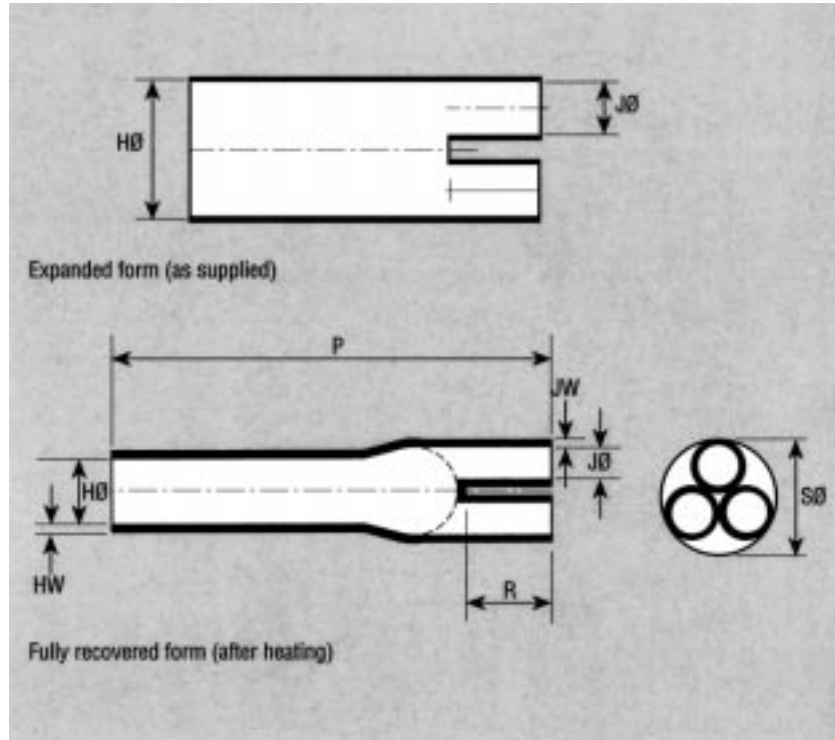
\* Standard products and materials.

# 300 SERIES

3-WAY OUTLET  
SHAPES IN LINE



This style provides cable sealing strain relief and mechanical protection. Covers a wide range of cable diameters. Ideal for power and signal applications.



Dimensions apply to all materials unless otherwise indicated and are in inches.

NAVSEA REFERENCE	Hellermann Part No.	Expanded (Min)		Recovered (Max)		Recovered dimensions fully shrunk				
		H	J	H	J	S (Nom)	P ±10%	R ±10%	HW ±20%	W ±20%
IA62-5	* 318-2	0.98	0.35	0.36	0.12	0.63	3.01	0.79	0.10	0.10
IA62-7	* 339-2	1.50	0.65	0.50	0.16	1.02	4.47	2.46	0.11	0.11
IA62-6	* 319-2	1.22	0.59	0.69	0.18	0.91	3.68	1.12	0.11	0.11
—	* 320-1	2.20	1.20	0.89	0.35	1.46	7.09	1.73	0.12	0.12
IA62-8	* 328-2	1.70	0.82	0.90	0.30	1.42	3.90	1.34	0.15	0.15
—	324-1	3.54	1.38	1.34	0.55	2.13	7.87	1.97	0.12	0.08
—	316-1	4.33	1.57	1.38	0.69	2.17	7.01	1.50	0.16	0.12
—	316-2	2.83	1.46	1.38	0.69	2.17	7.01	1.50	0.16	0.12
—	342-1	4.33	1.57	1.38	0.69	2.17	9.06	1.77	0.16	0.14
IA62-9	* 330-2	2.40	1.25	1.40	0.50	1.85	5.69	1.79	0.15	0.15
IA62-10	* 340-2	3.20	1.40	2.00	0.75	2.56	5.69	1.79	0.18	0.18
IA62-11	* 341-2	4.92	2.00	2.32	1.00	2.95	11.14	2.80	0.15	0.15
—	323-1	4.72	2.36	2.36	0.98	3.35	11.81	3.54	0.16	0.12

### MATERIALS AVAILABLE

Reference	Specification	Description
J	MIL-I-81765/TYPE II	Flexible polyolefin
B7	* MIL-I-81765/TYPE I	Semi-rigid flame retarded polyolefin
G	VG 95343 PART 6	Fluid resistant elastomer
H	NAVSEA 5617649	Flexible limited fire hazard material
B8		Semi-rigid flame retarded polyolefin

### ADHESIVE COATING OPTIONS

Reference	Description
W1	Band lined WM250

For ordering procedure – refer to page 5

\* Standard products and material.